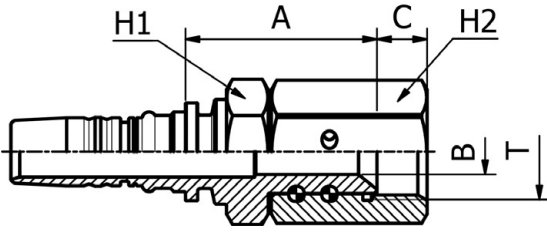


SAE STANDARD CONNECTIONS

M42714

JIC
 FEMALE 37° CONE SEAT
 SAE J516 / ISO 12151-5
 (DOUBLE THRUST-WIRE NUT)

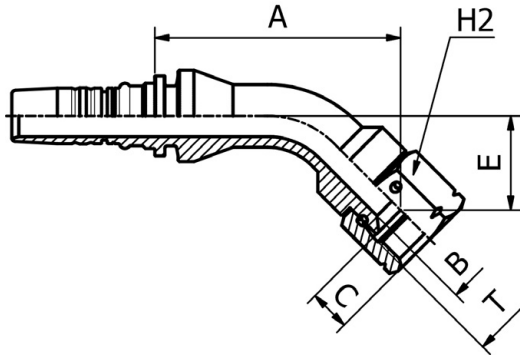


| PART. REF. | HOSE BORE | | | Thread | DIMENSIONS mm | | | | | | |
|--------------|-----------|------|--------|--------------|---------------|------|------|------|------|--|--|
| | DN | Dash | inch | T | B | A | C | H1 | H2 | | |
| M42714-12-12 | 19 | - 12 | 3/4" | 1.1/16" - 12 | 13.0 | 55.0 | 14.4 | 36.0 | 36.0 | | |
| M42714-16-16 | 25 | - 16 | 1" | 1.5/16" - 12 | 18.0 | 60.5 | 15.1 | 41.0 | 41.0 | | |
| M42714-20-20 | 31 | - 20 | 1.1/4" | 1.5/8" - 12 | 23.0 | 71.0 | 15.9 | 50.0 | 55.0 | | |
| M42714-24-24 | 38 | - 24 | 1.1/2" | 1.7/8" - 12 | 27.0 | 71.0 | 18.6 | 55.0 | 60.0 | | |
| M42714-32-32 | 51 | - 32 | 2" | 2.1/2" - 12 | 37.0 | 77.5 | 23.8 | 70.0 | 75.0 | | |

SAE STANDARD CONNECTIONS

M42542

45° JIC
 FEMALE SWEPT ELBOW 37° CONE SEAT
 SAE J516 / ISO 12151-5
 (THRUST-WIRE NUT)



| PART. REF. | HOSE BORE | | | Thread | DIMENSIONS mm | | | | | | |
|--------------|-----------|------|--------|--------------|---------------|-------|------|------|------|--|--|
| | DN | Dash | inch | T | B | A | C | E | H2 | | |
| M42542-12-12 | 19 | - 12 | 3/4" | 1.1/16" - 12 | 15.0 | 86.0 | 14.2 | 33.0 | 32.0 | | |
| M42542-16-16 | 25 | - 16 | 1" | 1.5/16" - 12 | 21.7 | 95.0 | 15.2 | 37.0 | 41.0 | | |
| M42542-16-20 | 25 | - 16 | 1" | 1.5/8" - 12 | 26.1 | 102.5 | 16.2 | 36.5 | 50.0 | | |
| M42542-20-20 | 31 | - 20 | 1.1/4" | 1.5/8" - 12 | 26.1 | 115.5 | 16.2 | 45.0 | 50.0 | | |
| M42542-24-24 | 38 | - 24 | 1.1/2" | 1.7/8" - 12 | 32.1 | 126.5 | 18.8 | 50.0 | 60.0 | | |
| M42542-32-32 | 51 | - 32 | 2" | 2.1/2" - 12 | 42.0 | 161.5 | 24.0 | 63.5 | 75.0 | | |